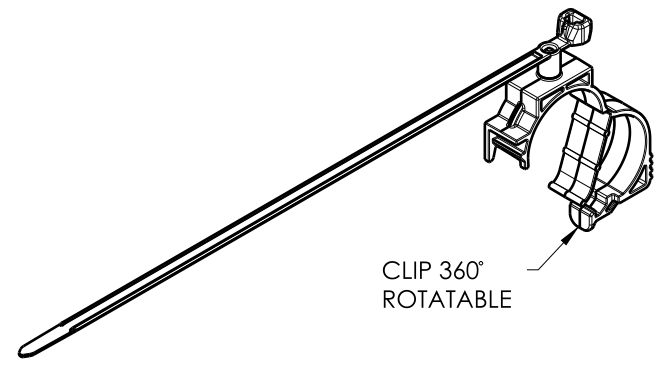
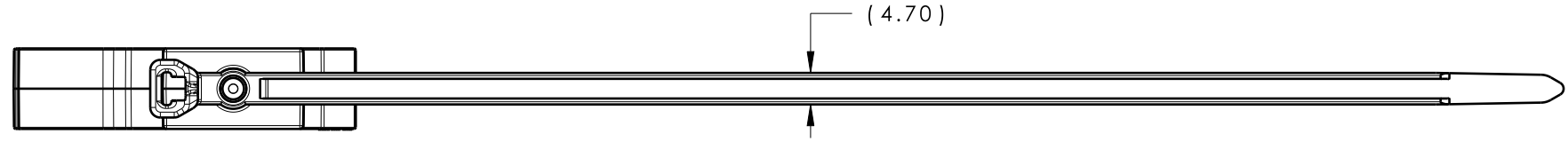
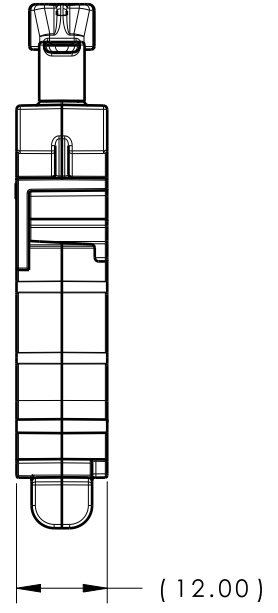
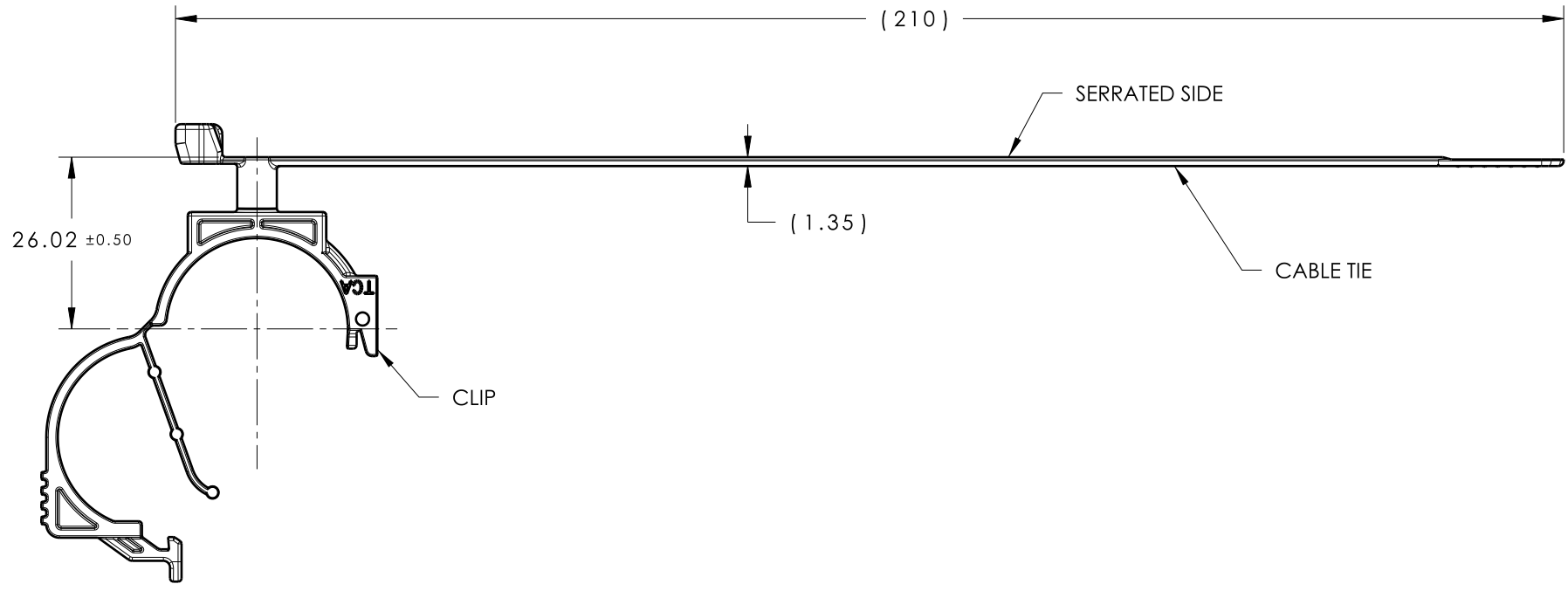


Revision Level			Revision Record	Changed	Date	Approved	Date
Drawing	State	Part					
02.2	Design Release	-	SEE ECN# 014328	KVH	06/08/18	EJF	06/08/18



ISOMETRIC VIEW  
SCALE 1:2



02.1		02.1										
GLOBAL PART DESCRIPTION			BUNDLE RANGE	CABLE TIES			CLIP					
T50SMVCLOC20-25-PA66HIRHS-BK			2 TO 50	DRAWING	MATERIAL	COLOR	DRAWING	MATERIAL	COLOR			
				14-0606-012-CSU	PA66HIRHS	BLACK	12-0631-051-CSU	PA66HIRHS	BLACK			
Material SEE CHART COLOR: SEE CHART	Units <b>millimeters</b>  Tolerance defined on each dimension	The copyright of this drawing is reserved by HellermannTyton. It is issued on condition that it is not reproduced, copied or disclosed to a third party, either wholly or in part, without the consent of HellermannTyton.	Drawn	KVH	9/13/16	Article/Type-No T50SMVCLOC20-25			Scale	1:1		
			Approved	EJH	10/7/16	Title T50 TIE STRAP WITH 20-25mm LOCKING OMEGA CLIP			Project Number 12-0631			
			<b>HellermannTyton</b> North America			Drawing-No			PRODUCTION : Phase		Format	B
						<b>12-0631-121-CSU</b>					Sheet	1/1